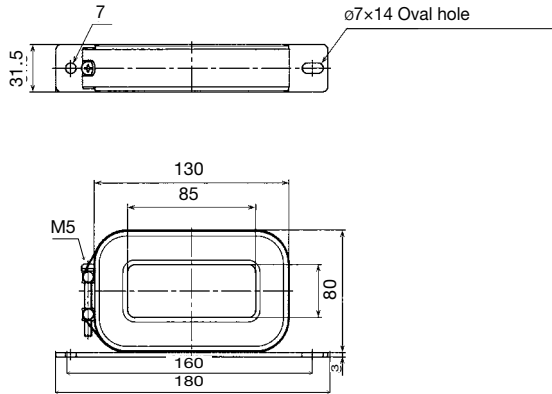




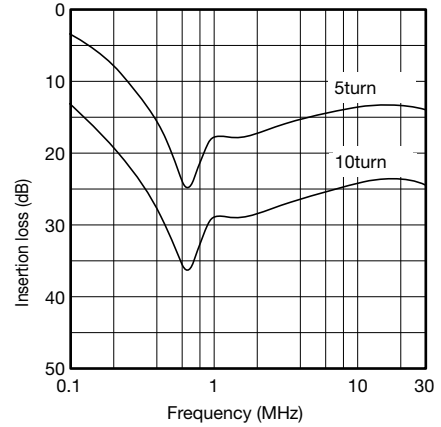
Effective noise suppression at radio frequency range

Feature

- Large core suits application to power supply lines for large current capacity.



Insertion loss frequency properties\*



\*The values are measured data for reference, not guaranteed.

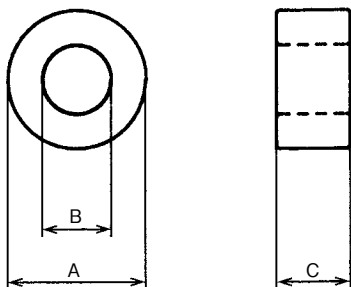
FINEMET CORE/F



Toroidal cores employing "FINEMET", nanocrystalline soft magnetic material

Feature

- High impedance in MHz frequency range and under.
- FINEMET has very high Curie temperature (570°C) which results in stable magnetic characteristics at high temperatures.
- As FINEMET has high saturation magnetic flux density, three times higher than ordinary ferrite cores, superior suppression of spike current is possible with smaller cores.



Unit: mm

Part No.	A	B	C
F2515D	28.0	12.8±0.5	16.8
F3320E	35.8	17.3±0.5	17.5
F3724E	40.0	21.1±0.5	17.6
F4424G	46.5	21.5±0.5	22.8
F4535G	49.0	31.0±0.5	25.0
F6045G	64.0	41.0±0.7	25.0
F7555G	79.0	51.0±0.7	25.0

FINEMET is a registered trademark of Hitachi Metals, Ltd. Contact our sales department for details.