

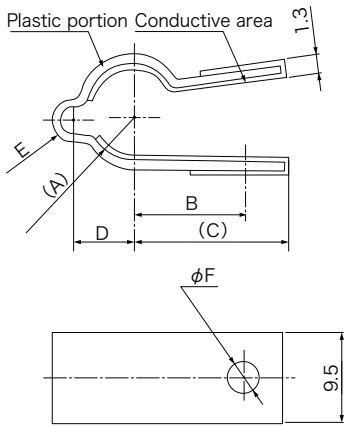
Plastic fastening and reliable copper foil grounding is provided simultaneously.

Feature

- Plastic body enables conductive layer to fit the cable and provides stable effectivity.
- Conductive area employs highly reliable copper foil.
- Plastic materials prevent the clamp from damaging the cable.

Material

- Plastic portion / nylon 66 (light gray / UL94V-0)
- Conductive area / Copper foil



■ M3 screw assembly type

Unit: mm

Part No.	(A)	B	(C)	D	E	F	Applicable cable diameter
FGC-3	R1.8	9.5	13.5	3.0	R1.5	ø3.2	ø2.7~3.5
FGC-5	R3.0	10.7	14.7	4.3	R2.0		ø5.0~5.5
FGC-8	R4.8	12.5	16.6	6.5	R2.3		ø8.2~9.0

■ M4 screw assembly type

Unit: mm

Part No.	(A)	B	(C)	D	E	F	Applicable cable diameter
FGC-3 M4	R1.8	9.5	13.5	3.0	R1.5	ø4.2	ø2.7~3.5
FGC-5 M4	R3.0	10.7	14.7	4.3	R2.0		ø5.0~5.5
FGC-8 M4	R4.8	12.5	16.6	6.5	R2.3		ø8.2~9.0

FG CLAMP/FGCS



FG function combined wiring clamps

Feature

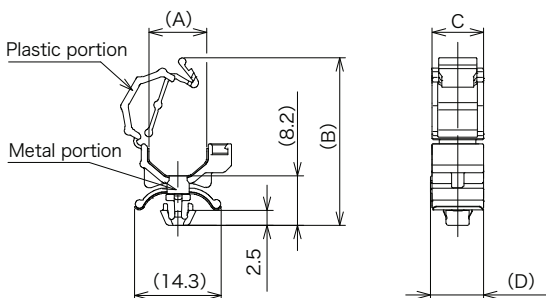
- Part numbers reduced through the integration of the plastic clamp and the metal FG component.
- Plastic and metal portions can be separated for disposal.
- Easily detachable cables allow improvement for maintenance.

Material

- Plastic portion / nylon 66 (Natural / UL94V-0)
- Metal portion / Phosphor bronze (Sn plating)

Installation specifications

- Board thickness : t0.8~1.6
- Hole diameter : ø4.8^{+0.2}



Unit: mm

Part No.	(A)	(B)	C	(D)	Applicable cable diameter
FGCS-5	7.0	23.3	5.5	5.7	ø5.0~5.5
NEW FGCS-8	9.5	27.5	8.5	8.7	ø7.0~8.5