

Various selection of Copper Beryllium Finger Strips

Feature

- Copper beryllium owes its wide range of application to the unique performance qualities it has:
 - extraordinary elasticity
 - strength
 - fatigue strength
 - high conductivity
 - resistance against environmental influences such as ozone, epipolar rays and light, also against solvents and corrosion.
- Furthermore, copper beryllium can be used under a wide temperature range and is not burnable or flammable. It does not evolve gas either. If handled correctly, it acts self purifying, for example when it is employed as a door shield for opening and closing.

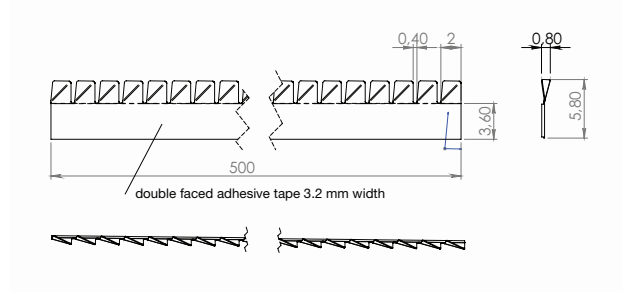
Technical Data

Specific gravity	8,4 g/cm ³
Fusing point	900 °C
Coefficient of expansion (20-200 °C)	17 10 ⁻⁶ /°C
Thermal conductivity	0.27 cal/cm s °C; 1.13 W/cm °C
Diamond pyramid hardness	350-430 kp/mm ²
Tensile strength	1200-1450 N/mm ²
Fatigue strength, load application 10 ⁸	250-290 N/mm ²
Modulus of elasticity	135000 N/mm ²
Torsion modulus	47000 N/mm ²
Spring bending limit	820-950 N/mm ²
Electric conductivity	12.5-13 m/Ωmm ²

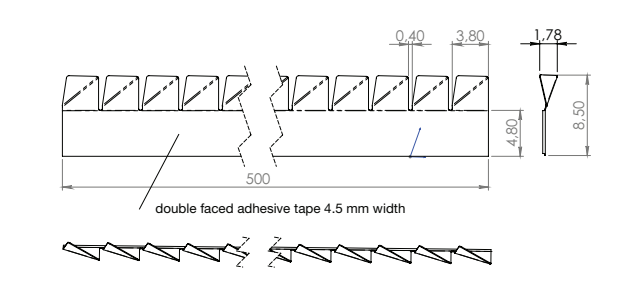
Plating finishes
-01 Bright finish
-02 Tin plated
-03 Silver plated
-04 Nickel plated
-05 Gold plated

Ordering information	Part No.	Finish-ID.	length (mm)
CB-	xxxx	-	xx
			xxxxx

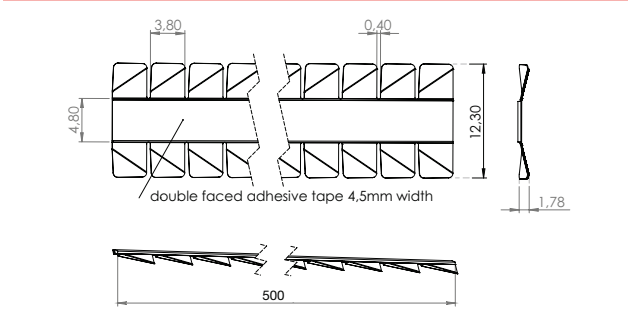
CB-0002



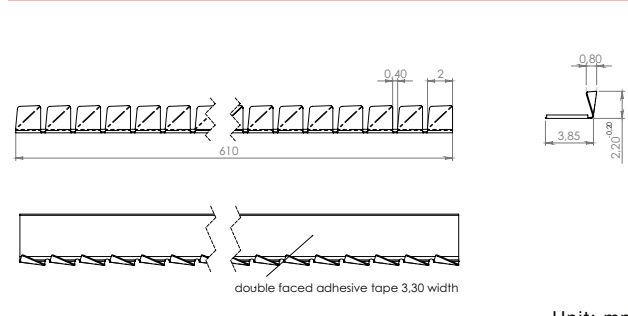
CB-0004



CB-0005

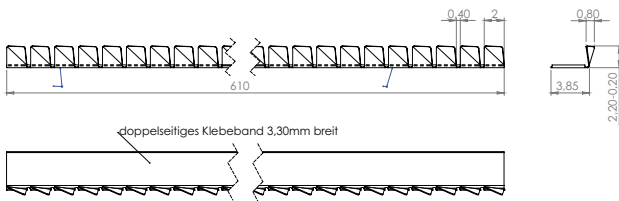


CB-0006

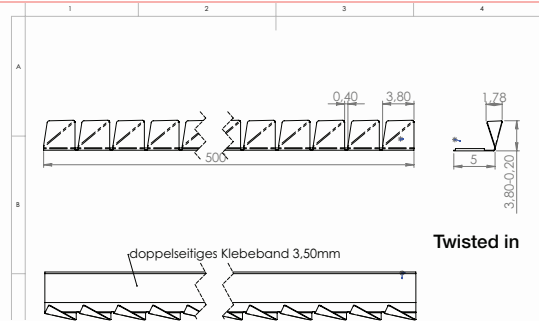


Unit: mm

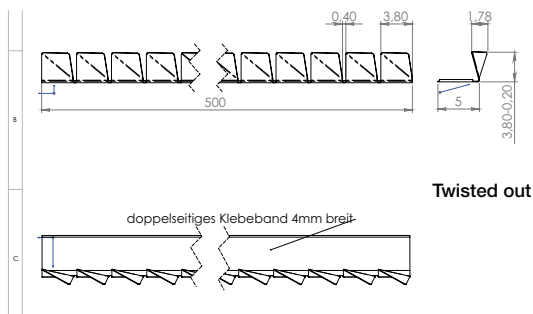
CB-0007



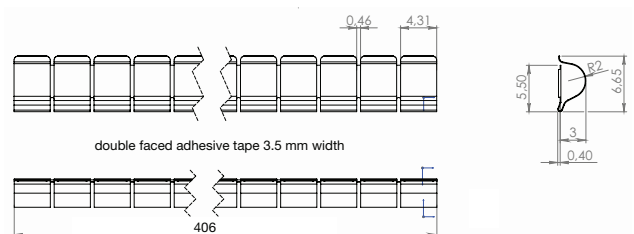
CB-0008



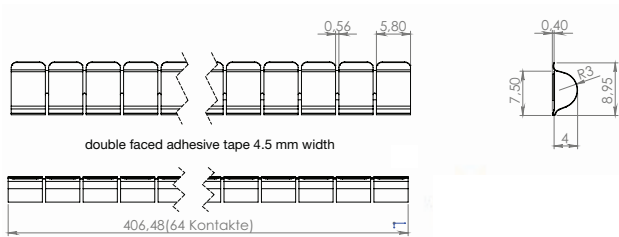
CB-0009



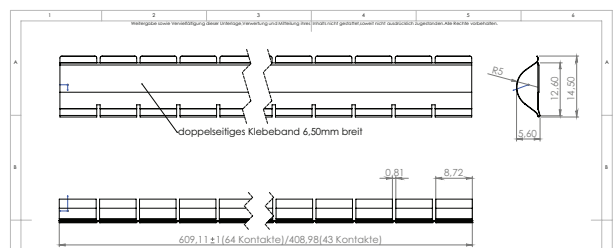
CB-0010



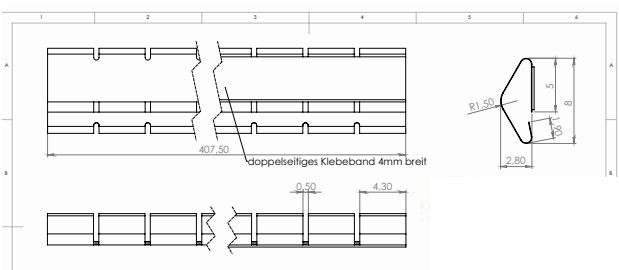
CB-0011



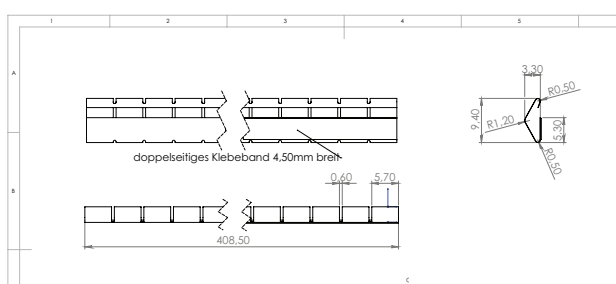
CB-0012



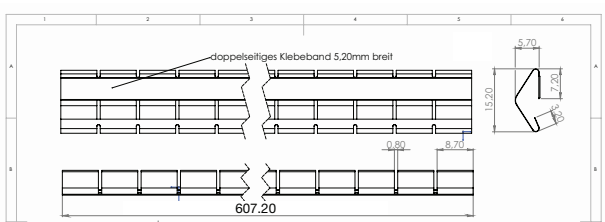
CB-0013



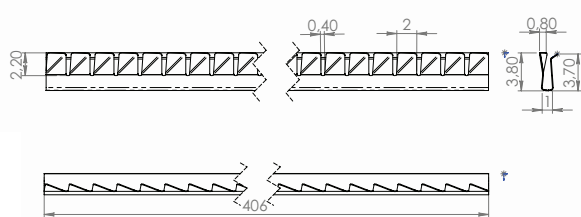
CB-0014



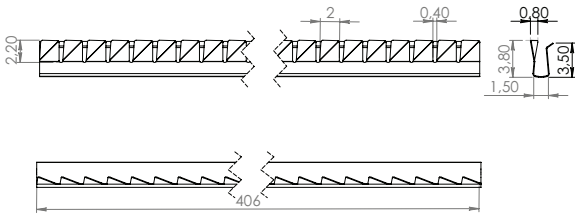
CB-0015



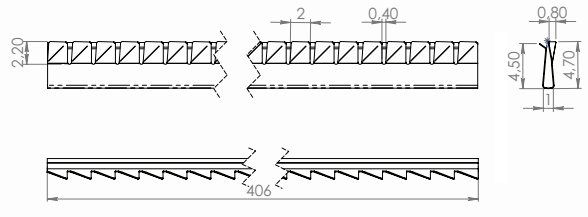
CB-0016



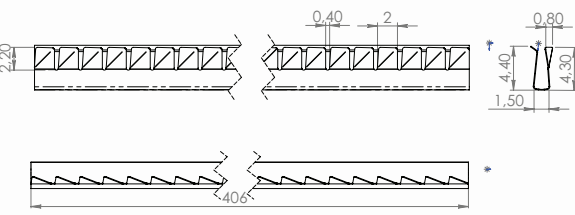
CB-0017



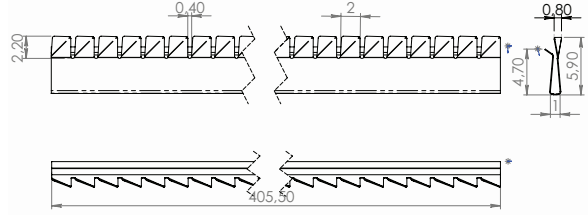
CB-0018



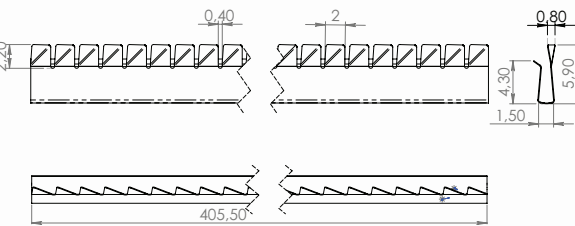
CB-0019



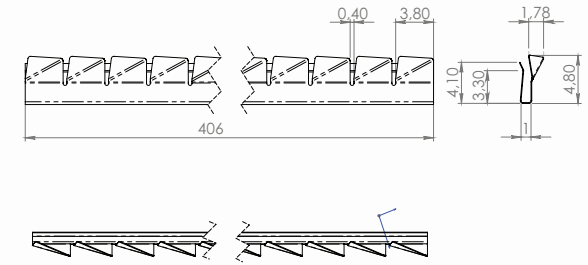
CB-0020



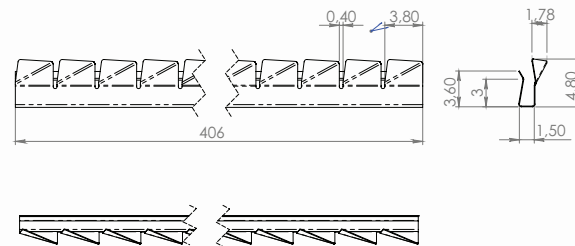
CB-0021



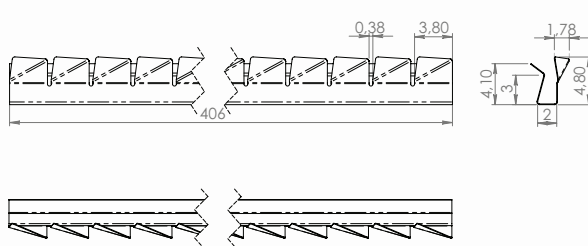
CB-0022



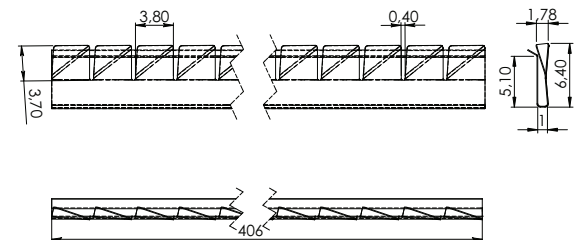
CB-0023



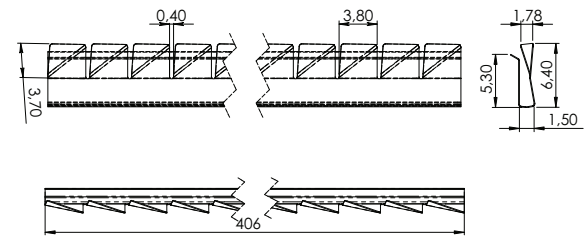
CB-0024



CB-0025

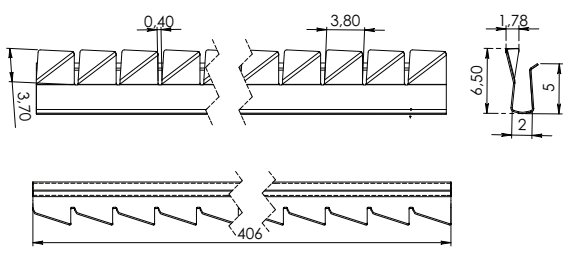


CB-0026

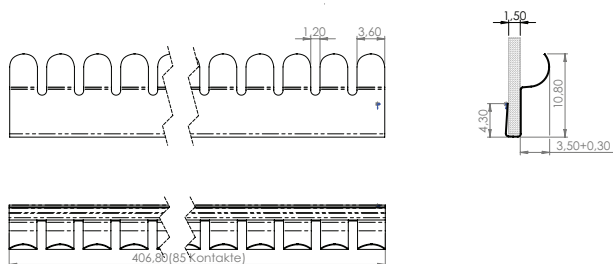


Unit: mm

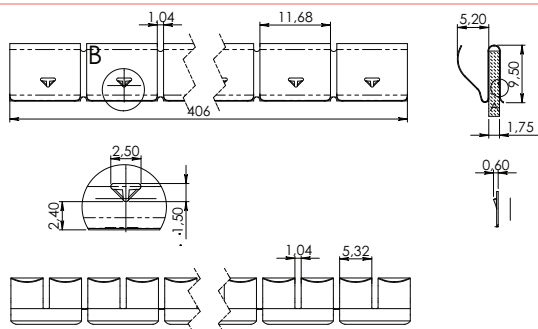
CB-0027



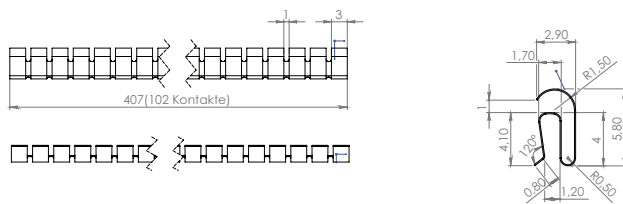
CB-0034



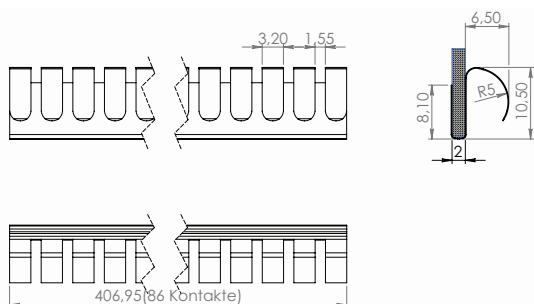
CB-0036



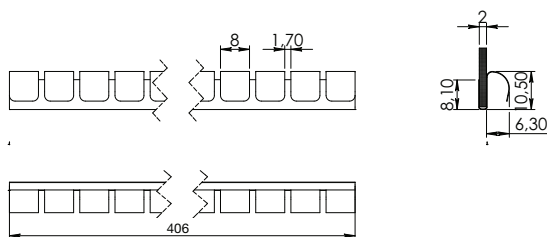
CB-0037



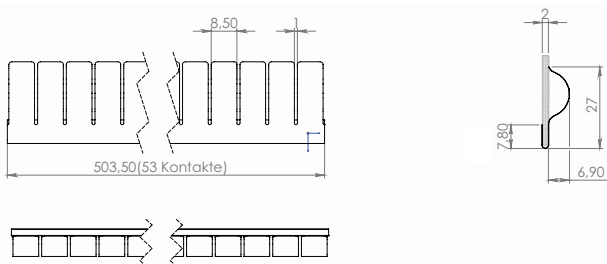
CB-0038



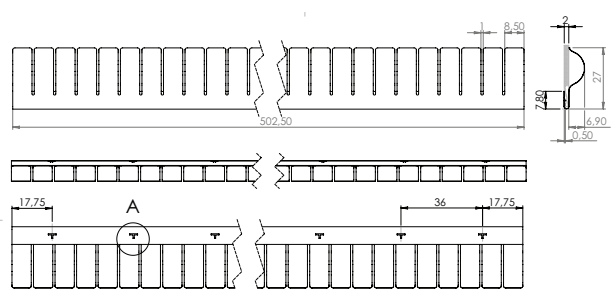
CB-0039



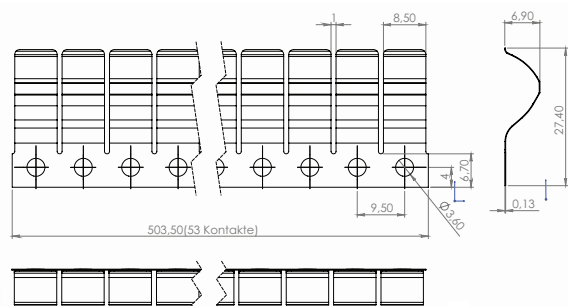
CB-0042



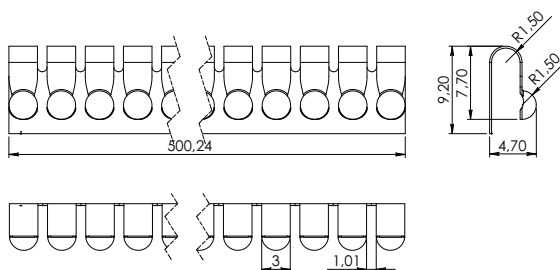
CB-0044



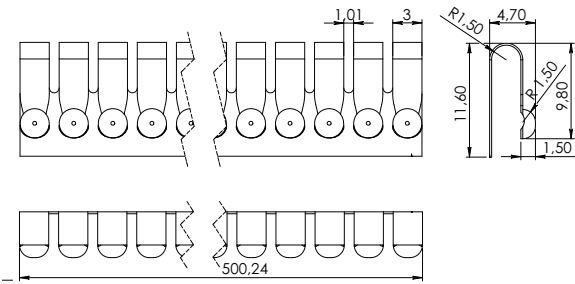
CB-0045



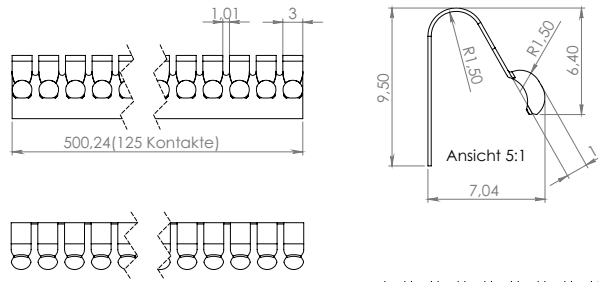
CB-0048



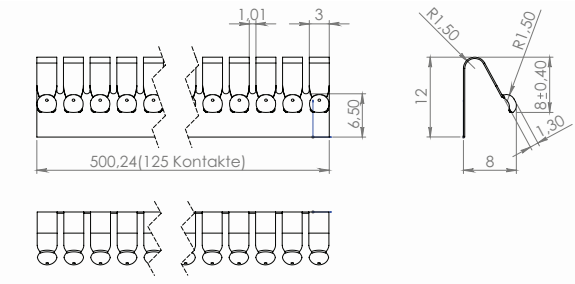
CB-0049



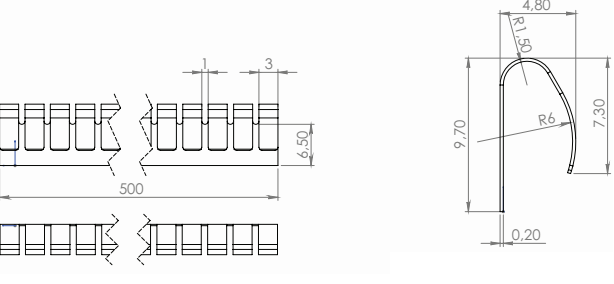
CB-0050



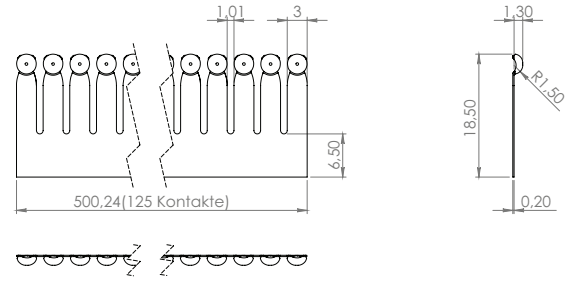
CB-0051



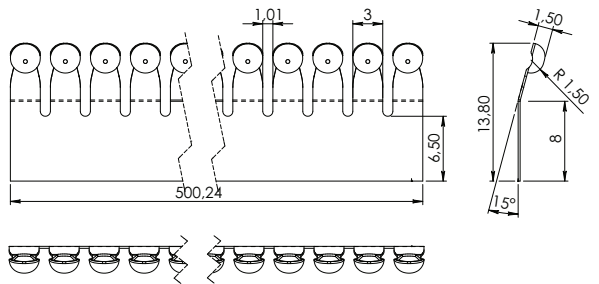
CB-0057



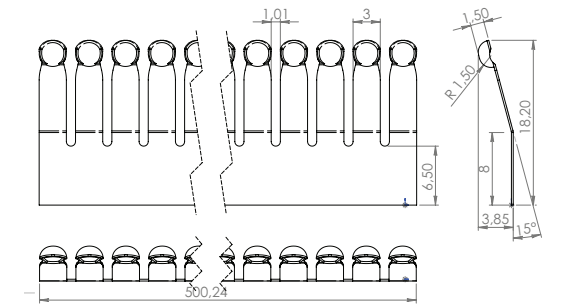
CB-0059



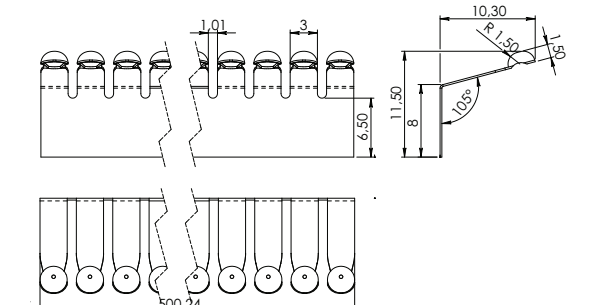
CB-0060



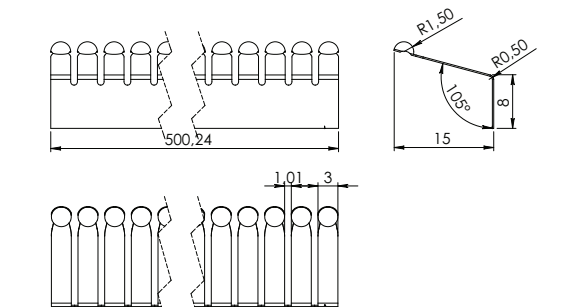
CB-0061



CB-0062



CB-0063



SHIELDING GASKETS

Soft
Wire mesh