
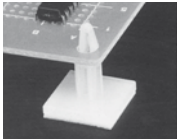
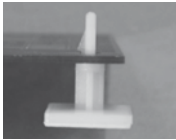

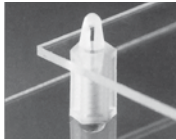

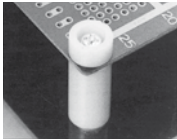
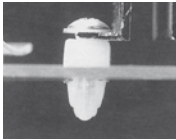


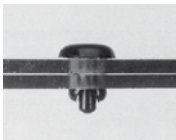





Spacers

 Snap and Adhesive tape Mounting	 P19 LOCKING CARD SPACER	 P20 LOCKING CARD SPACER	 Snap and Screw Mounting	 P25 TAPPING CARD SPACER
	 Screw Mounting	 P26 ONE TOUCH COLLAR BUSHING		 P29 EXPANSION NUT

Rivets

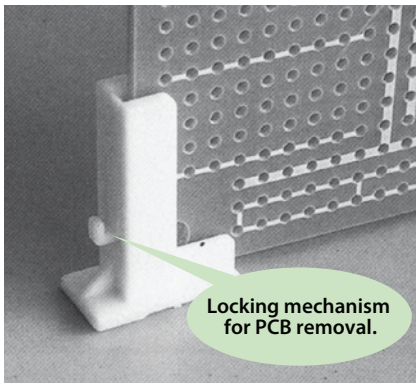
Securing metal plates and components

 Snap Mounting	 P27 CLINCH RIVET	 P30 NYLON RIVET	 P30 RIVET	 P31 NYLON RIVET	 P32 NYLON RIVET
---	--	---	---	---	---

Card Guides

Card guides and ejectors support smooth insertion and extraction

Card Guides					
 Snap Mounting	 P33 CARD CORNER HOLDER	 P34 RE-USE CARD HOLDER	 P35 CARD FIXER RE-USE CARD FIXER	 P36 CARD GUIDE	 P36 UNI TRACK
	 P37 CARD GUIDE	 P38 CARD GUIDE WITH STOPPER			
Ejectors					
 Spring pin mounting	 P39 EJECTOR	 P40 EJECTOR	 Snap Mounting	 P39 EJECTOR	 P39 EJECTOR



Features

- Space-saving holder allows mounting of sub-PCB onto chassis or main-PCB.
- Sup-PCB can be removed due to the locking mechanism.



Snap Mounting



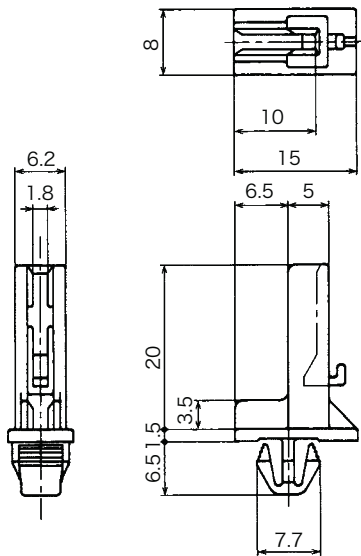
Odd-shaped hole

Material

- Nylon 66 (Color: Natural)

UL94 V-2 (V-0*)

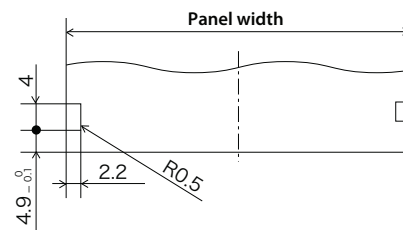
* For V0 type, "V0" is added to the end of the part No.
(With regard to lot size and lead time, please contact us.)



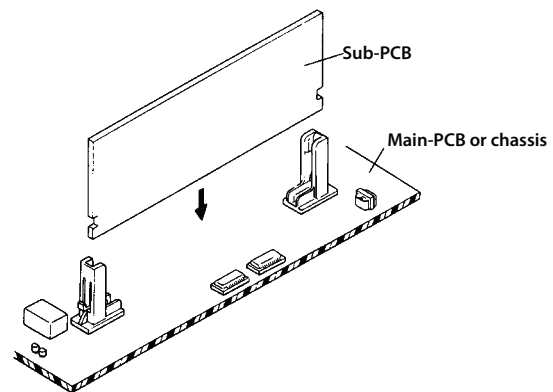
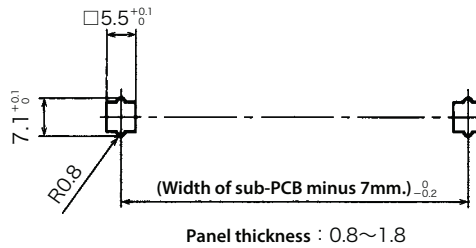
(Unit: mm)

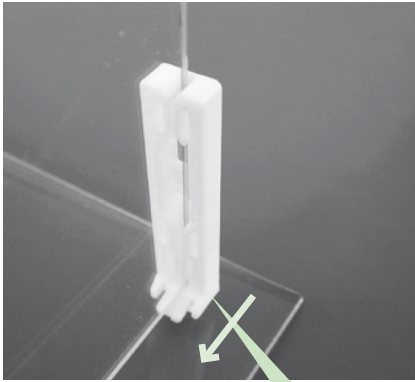
Std. Package: 1000 pcs.

Specification drawing for sub-PCB



Specification drawing





Slide to remove sub-PCB.

Features

- Space-saving, sub-PCB holder for installation on chassis or main-PCB.
- Sup-PCB can be removed due to the locking mechanism.
- Detachable holder requires no tools for maintenance and disassembling.



ReusableSnap Mounting

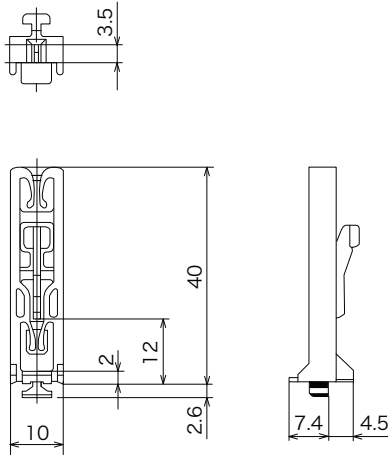


Odd-shaped hole

Material

- Nylon 66 (Color: Natural)

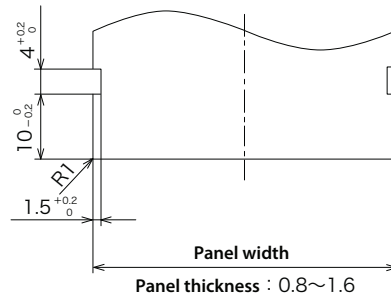
UL94 V-0



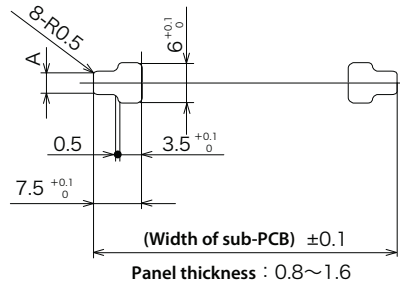
(Unit: mm)

Std. Package: 250 pcs.

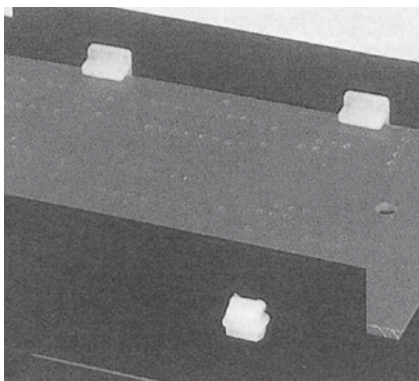
Specification drawing for sub-PCB



Specification drawing



Panel thickness	A
0.8 $^{+0.1}_0$	2.0 $^{+0.1}_0$
1 \pm 0.1	2.6 $^{+0.1}_0$
1.2 \pm 0.1	3.2 $^{+0.1}_0$
1.4 \pm 0.1	3.8 $^{+0.1}_0$
1.6 $^{+0.1}_0$	4.4 $^{+0.1}_0$



Features

- Low-cost and space saving card guide.
- Reusable type, requires no tools for mount/dismounting.

Material

- Nylon 66 (Color: Natural)



Snap Mounting
UEGR-xx-0
UEGR-08Y, RUEGR-08Y-V0



Round hole



ReusableSnap Mounting
RUEGR-08Y-V0



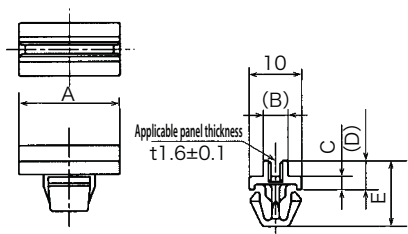
Odd-shaped hole

UL94 V-2 : UEGR-xx-0

UL94 V-0 : UEGR-08Y, RUEGR-08Y-V0

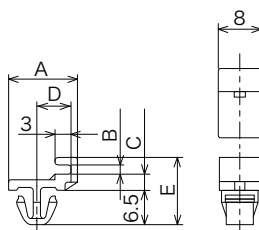
UEGR-xx-0

For mounting on vertical plane

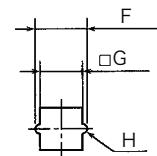


UEGR-08Y

For mounting on horizontal plane



Specification drawing



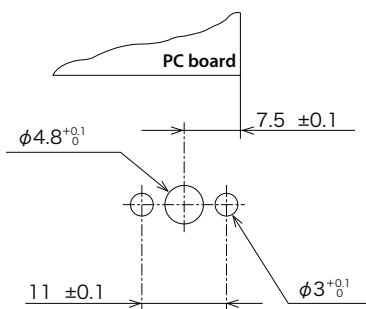
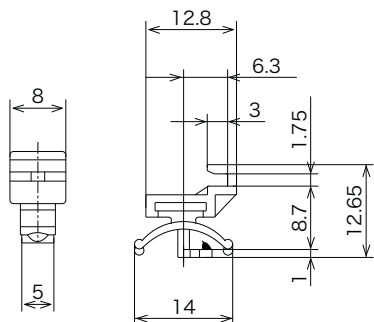
Part No.	A	B	C	D	E	F	G	H	Panel thickness	Std. Package
UEGR-08-0	8	5.5	1.6	4.6	10.1	7.1 ^{+0.1} ₀	□5.5 ^{+0.1} ₀	R0.8	1~2	1,000 pcs.
UEGR-19-0	19	4.7	2.5	5.5	12.5	9.8 ^{+0.1} ₀	□8 ^{+0.1} ₀	R0.9	0.8~1.2	
UEGR-08Y-V0	12.8	1.6	3.0	6.3	12.5	7.1 ^{+0.1} ₀	□5.5 ^{+0.1} ₀	R0.8	1.5±0.1	500 pcs.

(Unit: mm)

RUEGR-08Y-V0



Specification drawing



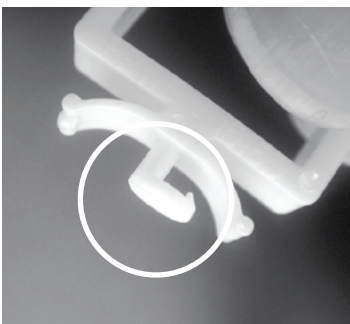
Part No.	Panel thickness	Std. Package
RUEGR-08Y-V0	0.8~2.0	1,000 pcs.

(Unit: mm)



Slide and remove

Reusable Snap (Slide type)

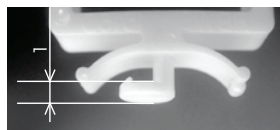


Easy Operation!



Simply slide the body to install and remove.

Space saving

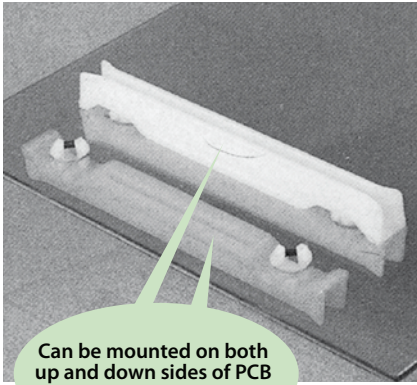


Greatly reduces the snap protrusion on the underside of PCB
Also suitable for application in limited spaces.

Round hole mounting



No odd-shaped hole required
Drilling 3 holes only.



Can be mounted on both up and down sides of PCB sharing the same holes.

Features

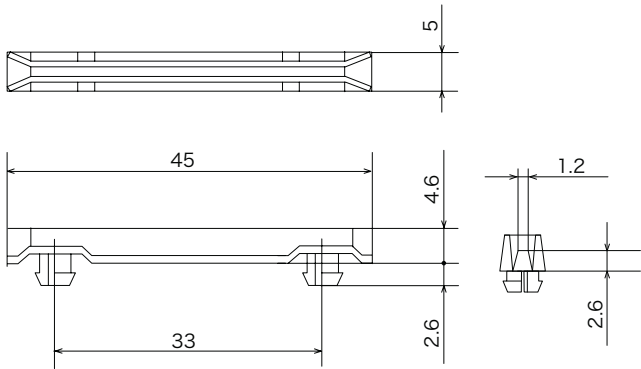
- Space-saving card guide can be installed on both sides of PCB by using the same holes.
- Card guide for 1mm thick PCB, improved stable holding without making clattering of PC board.

- Snap Mounting
- Round hole

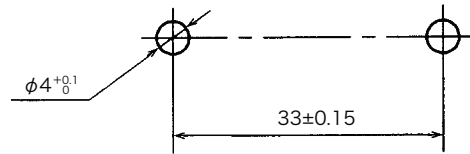
Material

- Nylon 66 (Color: Natural)

UL94 V-0



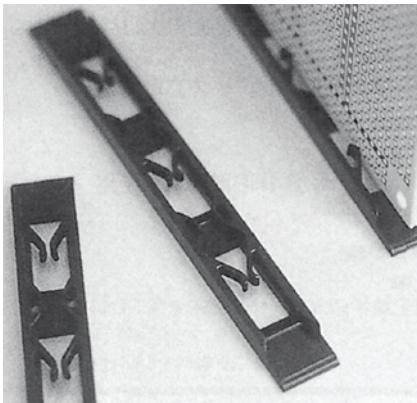
Specification drawing



Part No.	Mounting hole size	Panel thickness	Applicable panel thickness	Std. Package
GR-45A	Refer to Specification drawing	1 _{-0.1}	1±0.2	100 pcs.

(Unit: mm)

UNI TRACK / RAD



Features

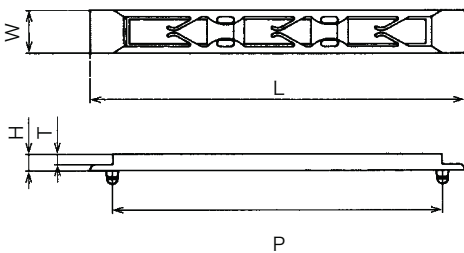
- Protects PCB from undesired removal and generation of resonance caused by vibration.

- Snap Mounting
- Round hole

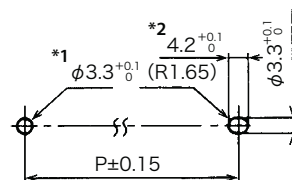
Material

- Poly-carbonate (Color: Black)

UL94 V-2



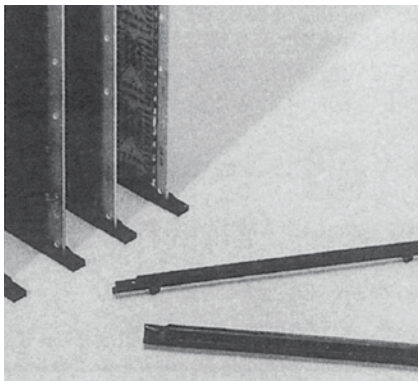
Specification drawing



Note) For RAD-6875 only,
*1 is $\phi 4.8$
*2 is 5.7or more

Part No.	L	W	T	H	P	Mounting hole size	Panel thickness	Std. Package
2500-38	63.5	12.0	2.4	4.6	55.9	$\phi 3.3^{+0.1}_0$	1.8~2.0	100 pcs.
SPC-3000	89.0	12.0	2.9		76.2			
RAD-4125	104.8	11.9	3.9	5.6	92.1		1.8~2.3	
RAD-6875	174.6	11.9	(3.2)		161.9	$\phi 4.8^{+0.2}_0$	1.8~2.0	

(Unit: mm)



Features

- Slim PCB guide.



Snap Mounting



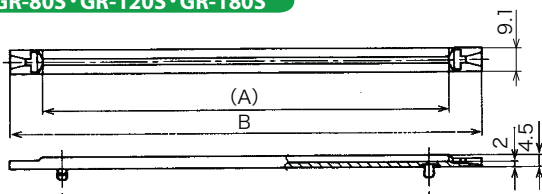
Round hole

Material

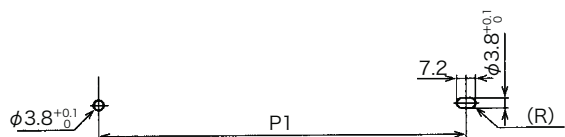
- Poly-carbonate (Color: Black)

UL94 V-2

GR-80S · GR-120S · GR-180S



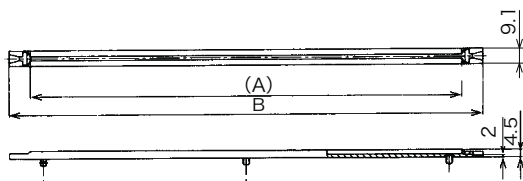
Specification drawing



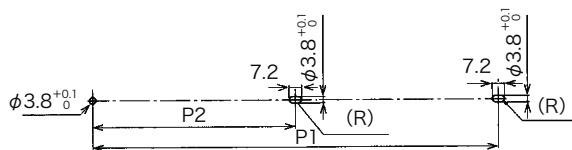
Part No.	(A)	B	Pitch of mounting hole		Panel thickness	Std. Package
			P1			
GR-80S	55	80	40±1		1.6±0.1	100 pcs.
GR-120S	95	120	80±1			
GR-180S	155	180	140±1			

(Unit: mm)

GR-280S

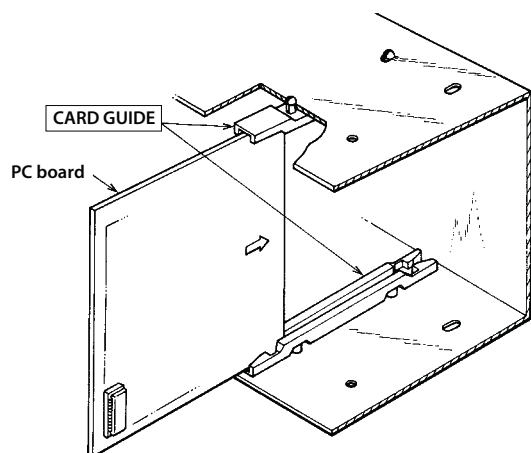


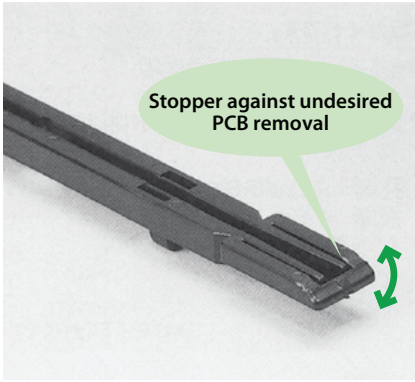
Specification drawing



Part No.	(A)	B	Pitch of mounting hole		Panel thickness	Std. Package
			P1	P2		
GR-280S	255	280	240±1	120±1	1.6±0.1	100 pcs.

(Unit: mm)





Features

- Stopper prevents PCB from undesired removal.
- Can hold 60 and 110 mm PCB by using NYLON RIVET (P16) in the middle of the guide.
- PCB can be removed with one hand using a special ejector.

Material

- Noryl (Color: Black)

UL94 V-0



Snap Mounting

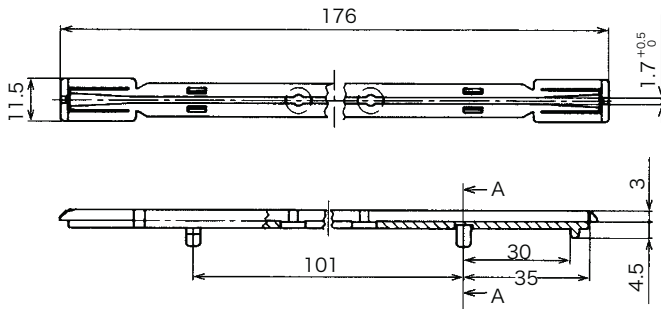


Odd-shaped hole

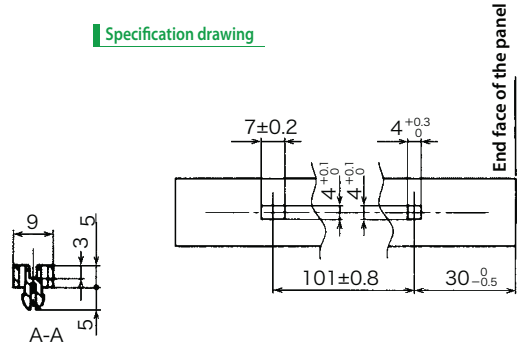


CBE-15
Special ejector for the guide

Refer to the bottom column



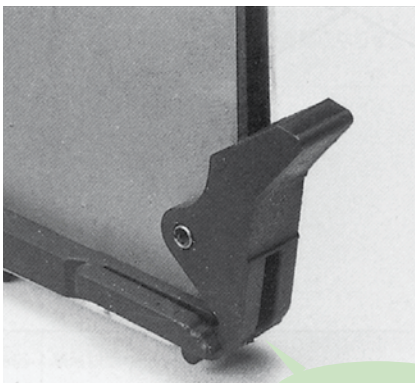
Specification drawing



Part No.	Mounting hole size	Panel thickness	Std. Package
GR-170SS	Refer to Specification drawing	1.6±0.1	200 pcs.

(Unit: mm)

EJECTOR / CBE-15



Features

- Special ejector for CARD GUIDE WITH STOPPER
- Easy extraction of PCB.

Material

- Noryl (Color: Black)

UL94 5VA



Spring pin mounting
(JIS B2808 2.5×8BW)



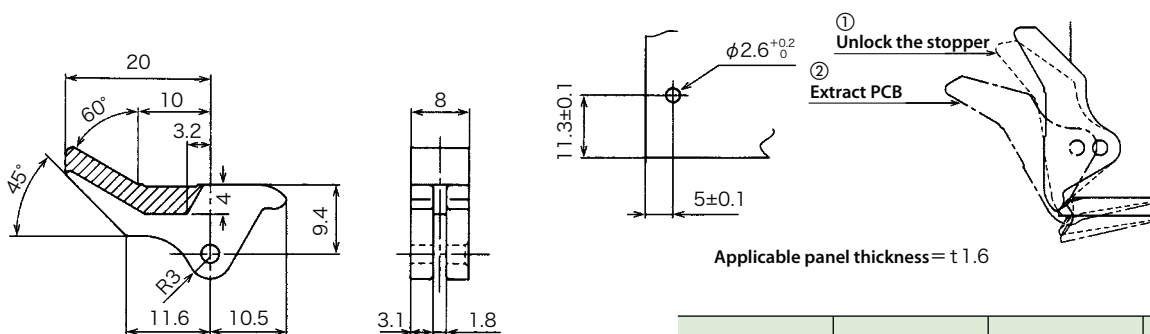
Round hole



GR-170SS
Special guide for the ejector

Refer to the top column

Specification drawing



Part No.	Mounting hole size	Panel thickness	Std. Package
CBE-15	$\phi 2.6^{+0.2}_0$	1.6±0.1	500 pcs.

(Unit: mm)

EJECTOR / EJC-1A



Features

- Compact ejector for 1mm thick PCB.
- Quick, snap in installation without using spring pin.

Material

- PPHOX (Color: Black)

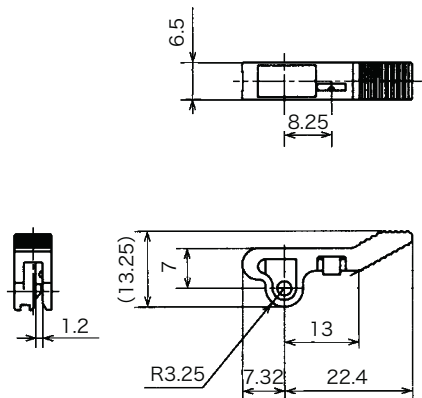
94 V-0



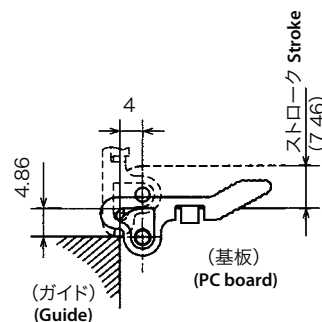
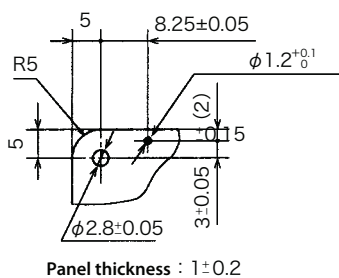
Snap Mounting



Round hole



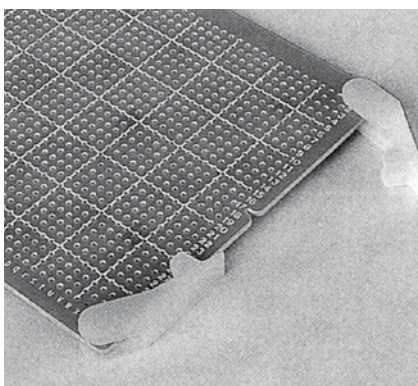
Specification drawing



(Unit: mm)

Std. Package: 500 pcs.

EJECTOR / CBE-18



Features

- CBE-18 provides easy dismounting of PCB for maintenance.
- Quick, snap in installation without using spring pin.

Material

- Nylon 66 (Color: Natural)

94 V-2

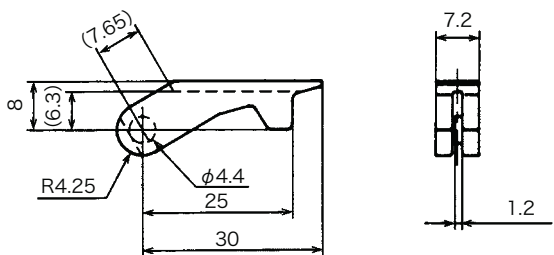


Snap Mounting

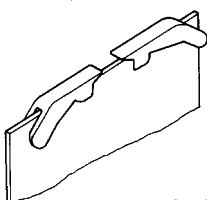
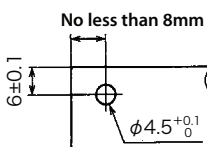


Round hole

Specification drawing

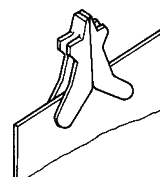
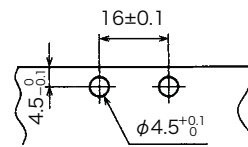


■ A type



Mounting example of A type

■ B type

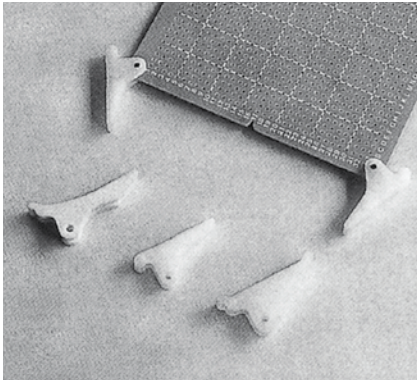


Mounting example of B type

Part No.	Mounting hole size	Panel thickness	Std. Package
CBE-18	$\phi 4.5^{+0.1}_0$	1.6±0.1	500 pcs.

(Unit: mm)

- Can be used as a handle for transport, when mounted on the middle edge of PCB.



Features

- Provides easy extraction of a connected PCB by using leverage.



Spring pin mounting

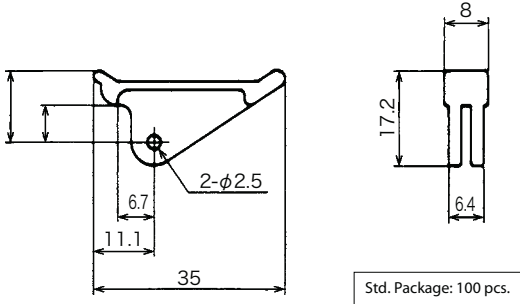


Round hole

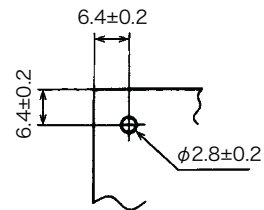
Material

- Nylon 6 (Color: Natural) **UL94 V-2** : CBE-12
- Polyacetal (Color: Natural) **UL94 HB** : CBE-14
- Polyethylene terephthalate (Color: Natural) **UL94 V-0** : CBE-2P

CBE-12

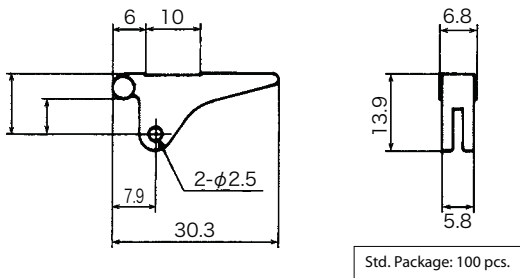


Specification drawing

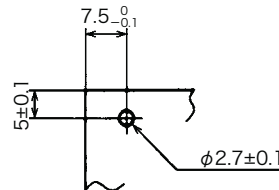


Applicable panel thickness : = 1.6

CBE-14

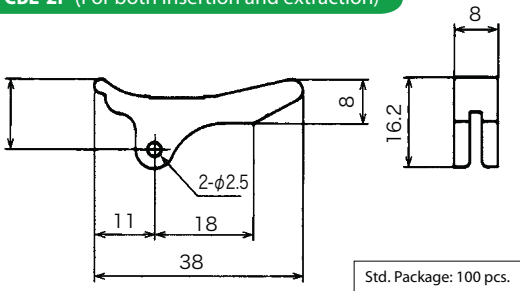


Specification drawing

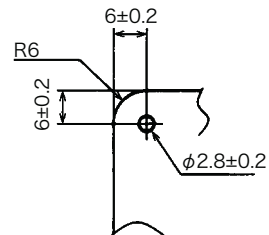


Applicable panel thickness : = 1.6

CBE-2P (For both insertion and extraction)

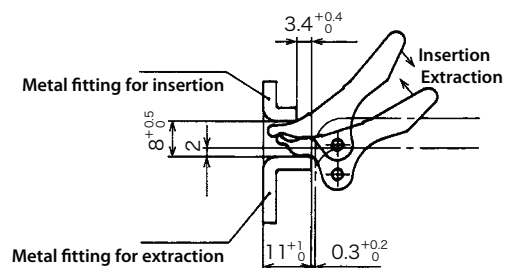


Specification drawing



Applicable panel thickness : = 1.6

Specification drawing for metal fitting



(Unit: mm)